



Octagonal Mobile Folding Table Seating Unit



Warranty:

The tables carry an extended 16 year warranty and must be maintained as below. You must have a yearly maintenance visit by the manufacturer to qualify for this extended warranty.

Maintenance:

Regularly inspect tables for correct operation, smooth folding and general stability. Clean table tops according to current food service hygiene practices after each use, exterior components of tables should be inspected for food deposits and cleaned as required. The underside of the tables should be inspected for chewing gum and other food deposits. CAUTION:- Excessive use of water during cleaning may cause corrosion. Periodic lubrication (with a food grade silicon spray) is required to be applied to pivot joints, we recommend lubrication every six months or more frequently if indicated by stiff operation or noise.

Safety:

All products are manufactured in an ISO 9001 Quality Assured environment. Conform to BS EN 1729-2:2006, BS EN 1022:2005 and BS EN 15373:2007 (suitable for severe contract and educational use)

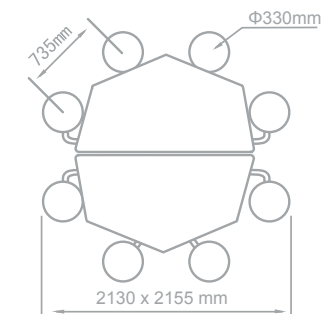
Recommended Uses:

Schools, Colleges, Council Catering, Canteens and Cafeterias.

Sizes:

Table Deployed: 2130x2155mm. Table Storage: 1005x2130x1330mm. Stool Diameter: 330mm. Stool Height: 375 or 425mm
Surface Diameter: 1520mm. Table Top Height: 685 or 735mm

Model Folding Octagonal 608



	27	29
A	685mm	735mm
B	375mm	425mm
C	1330mm	1380mm

