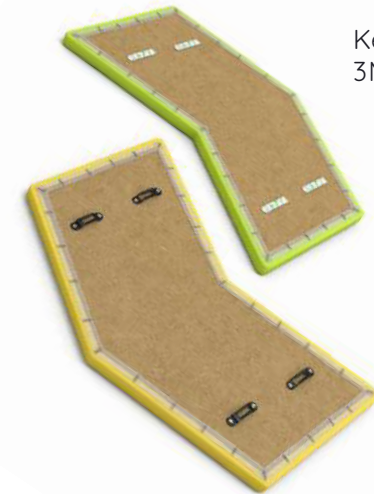


COUNTACH™ ACOUSTIC WALL PANELS

Iconic Chevron Shaped Modular Wall
Tiles for Feature Walls.

FEATURES:

- Acoustic Wall Tiles
- 26mm Thick Sound-Baffles
- Chevron Shape 400mm x 600mm
- Reduces Sound Reverberations in Rooms
- Upholstered Textured Fabric Wall Boards
- Sound Absorbing Acoustic Foam Core
- Iconic Shape For Modern Room Decor
- Can be Hung in Multiple Orientations
- Choice of Fabric Finishes
- Keyhole Bracket/3M Command™ Strips
- Mix and Match Modular Acoustic Panels
- Manufactured in the UK

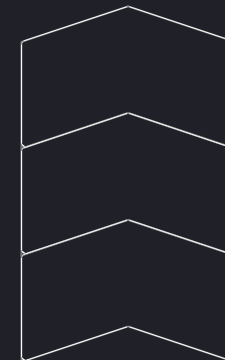
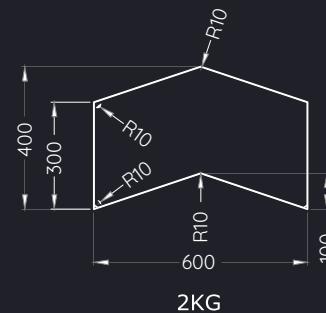


Keyhole Bracket/
3M Command™ Strips

Keyhole
Brackets.

DIMENSIONS:

CHEVRON



Tile construction is from 6/9mm medium density fibreboard (MDF) adhered (using water based adhesive) to 18mm sound absorbing foam.

Sound absorbing foam is tested to **BSEN ISO 354** and has an inferred noise reduction co-efficient (NRC) of 0.43. Based upon test reports 1306-1040 to 1042 and C/23213/T01.

On average each tile is manufactured from materials with 71% recyclable content.



Early
Learning
Furniture

01733 511121

sales@earlylearningfurniture.co.uk