

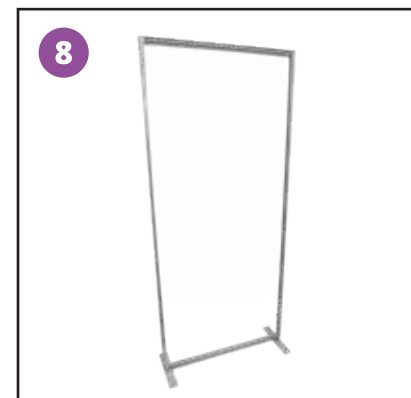
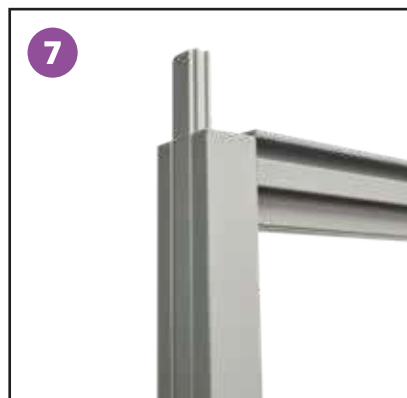
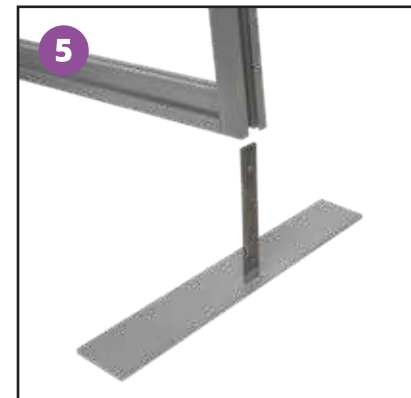
FREESTANDING OFFICE SCREEN

Installation Guide

How to assemble the feet.

STEPS:

1. Carefully unwrap screen
2. Remove top finishing caps from the corner of the screen and slide out all linking strips – put to one side
3. Remove bottom finishing caps from the bottom corner of the screen
4. Unscrew and remove height adjustable levelling feet
5. Remove grub screw from foot and slide foot spigot up through the frame in the side trim of the screen
6. Re-insert grub screw into foot spigot using a hex key (not supplied) and tighten until foot does not move ensuring angle of foot is as shown in image.
7. Re-insert the linking strip into the top of the frame and cover with the top finishing cap
8. Repeat all steps to fit the second foot to the screen to complete installation



Early
Learning
Furniture

01733 511121

sales@earlylearningfurniture.co.uk