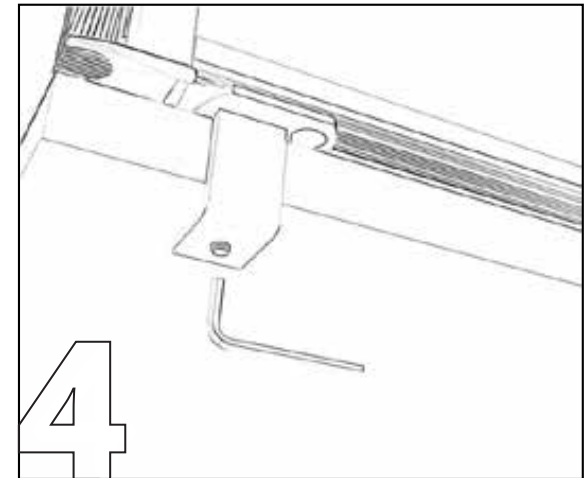
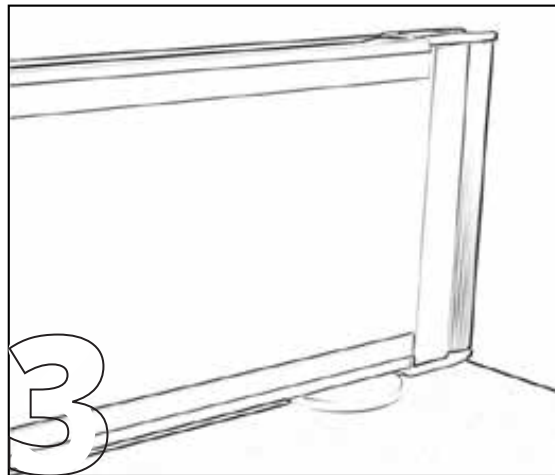
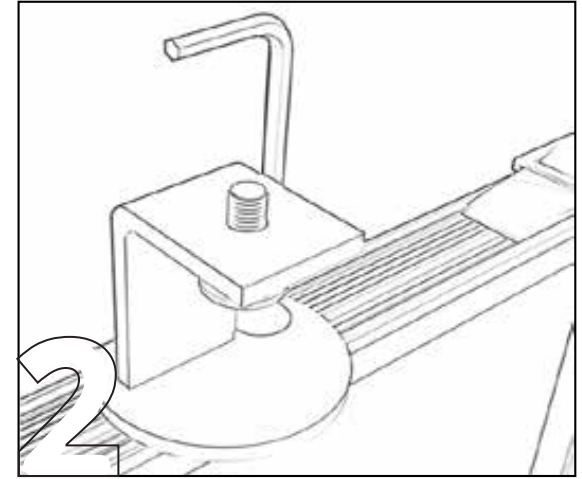
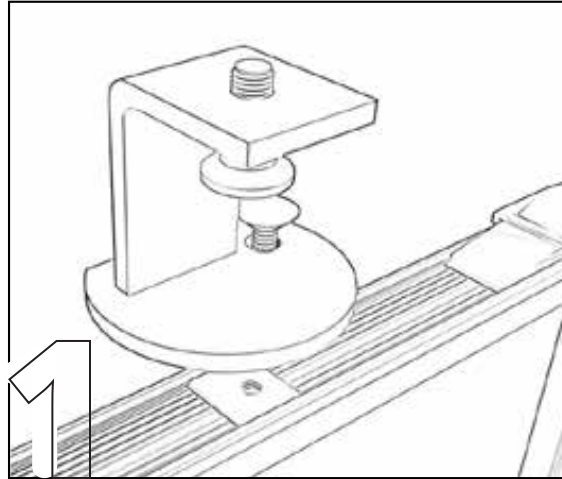


ALUMINIUM FRAME DESK SCREEN BRACKETS

Attaching Screens To Desktops

STEPS:

1. Turn the screen you wish to attach a sliding bracket to upside down to reveal the bottom rail and sliding plates.
2. Position the bracket on top of the sliding plate where the desired and tighten using a bolt and an allen key.
3. Position the screen with attached bracket on the desk edge and loosely tighten bracket.
4. Tighten the clamp to the desk edge using an allen key to secure the screen in place.



Early
Learning
Furniture

01733 511121

sales@earlylearningfurniture.co.uk