

HOW TO MEASURE YOUR DESK FOR A DESK SCREEN

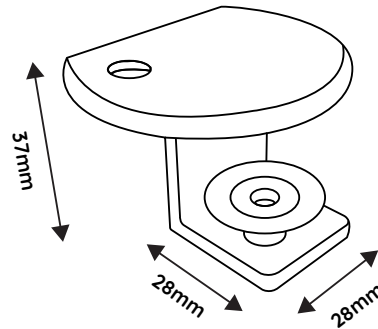
For Aluminium Framed Desk Dividers

To ensure that the desk screen you order fixes to your desk correctly it is important that you measure your desk correctly. This guide is for our Aluminium Framed Desk Divider Ranges. For other ranges please see the relevant guide.

The standard clamp we supply with our desk screens is a 'C' shaped clamp and adjusts to fit desks that are 17-33mm thick. This straight desktop screen is provided with a pair of clamps in silver finish. Simply fix the clamps to your desk and slide the screen into the slots.

If your desk is more than 33mm thick please contact us on **01733 511030** for other clamp options. Please note, there may be a charge for substitute clamps.

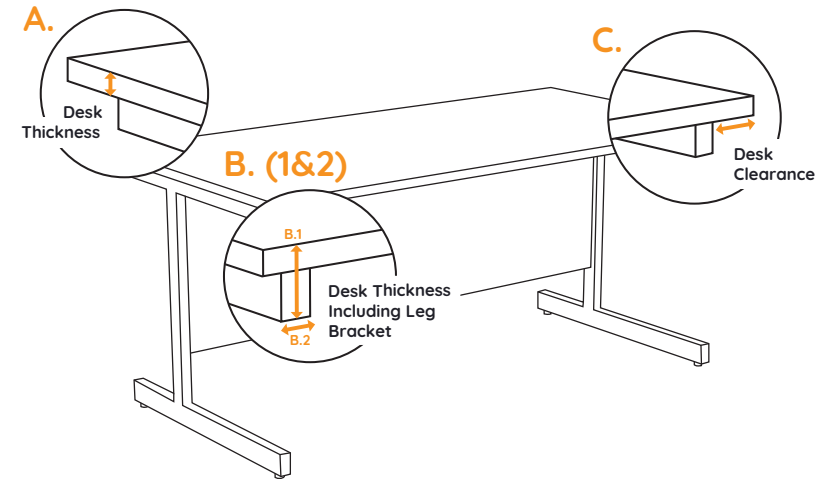
CLAMP DIMENSIONS:



DESK MEASUREMENTS

Please provide measurements for sections **A**, **B (1&2)** and **C**.

For assistance call us on **01733 511030**



CLAMP POSITION:

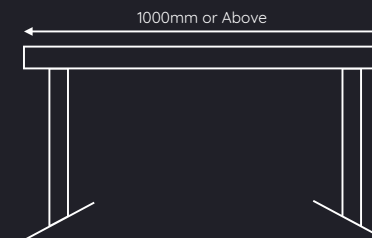
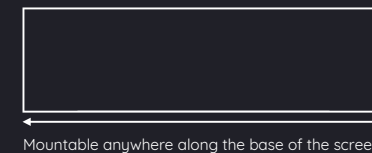
Aluminium Framed Desk Dividers have clamps that can slide and be positioned anywhere along the bottom of the screen (as long as your tabletop thickness doesn't exceed the maximum measurement of 33mm). As the clamps are not in a fixed position, if you encounter an obstruction, simply slide the clamp along the bottom of the screen/desk and position it in a more suitable location.

For This Example:

There is an obstruction of a leg bracket along the desk which exceeds the maximum clamp opening. Therefore the clamps will need moving to a more suitable location in order to mount the screen securely.

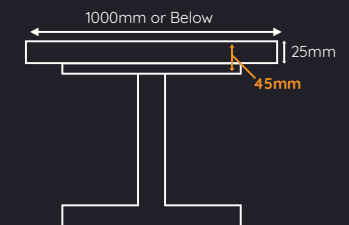
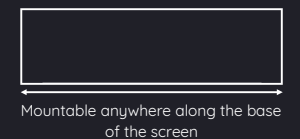
Back View of Desk - Ensure No Obstructions

1000mm and Above



Side View Of Desk

1000mm or Below



Early Learning Furniture

01733 511121

sales@earlylearningfurniture.co.uk