

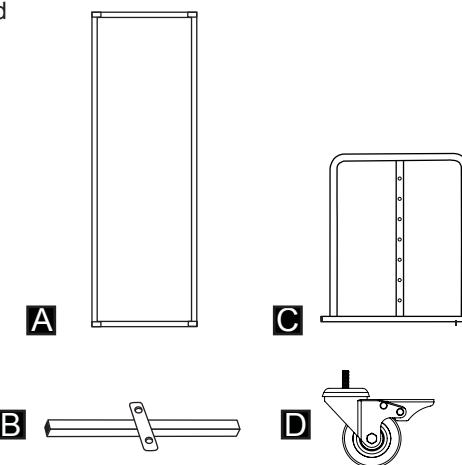
“Insta-Wall” The Wall on Wheels - Assembly Instructions



Parts Supplied

Two person assembly recommended

- A: Panel x 5pcs / Panel x 7pcs
- B: Feet x 3pcs / Feet x 5pcs
- C: Handle x 2pcs / Handle x 2pcs
- D: Lockable castor x 10pcs /
Lockable castor x 14pcs



NB number of parts varies with product size

***Please Note**

All the bolts and washers are screwed into product

Tools Required

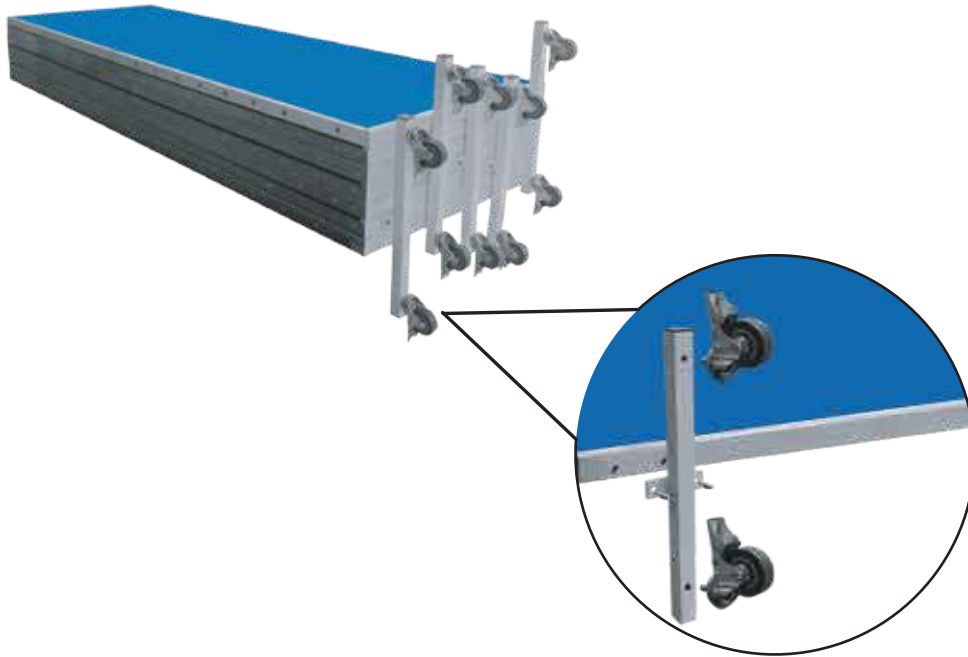
Tools required which are supplied:

- 1 x Screwdriver
- 1 x 5mm Allen Key
- 1 x Spanner

Assembly Instructions

1

Lay the panels on a flat surface such as a table, then unscrew the bolts and washers at the bottom of the panels (A); fix the feet (B) by supplied Allen key. Once all of the castors (D) are attached carefully stand the panels upright ready for stage 2 being careful not to drop the product.



2

Fix the castors (D) on the bottom of the Handle (C) . Unscrew the screws and washers at the two sides of the panel; fix the handle (C) by supplied Screwdriver.

